

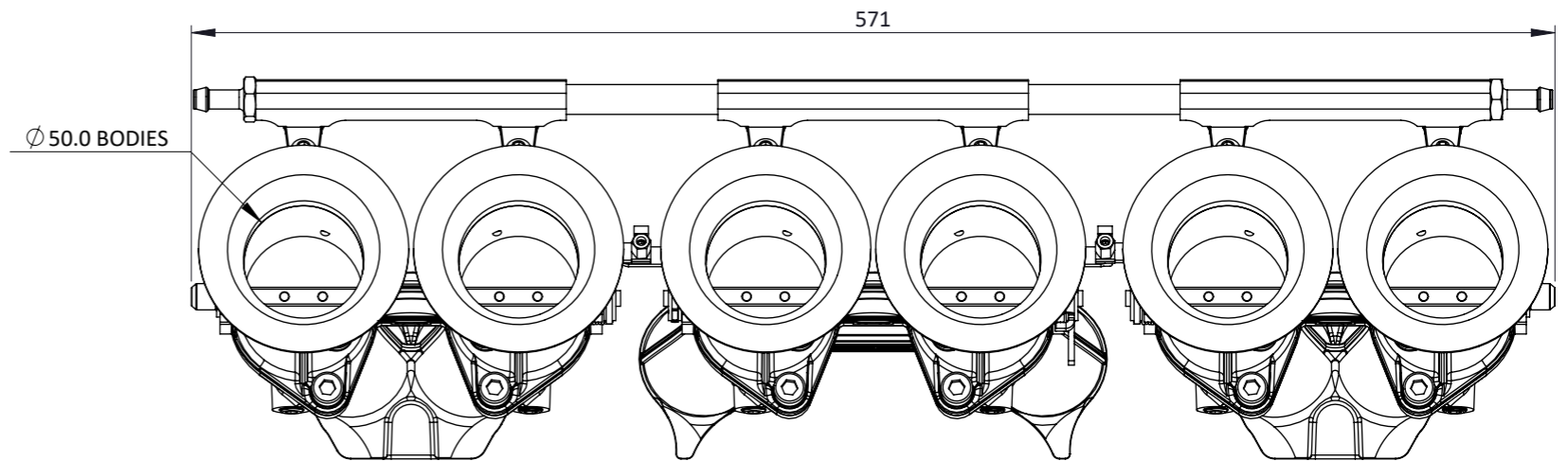
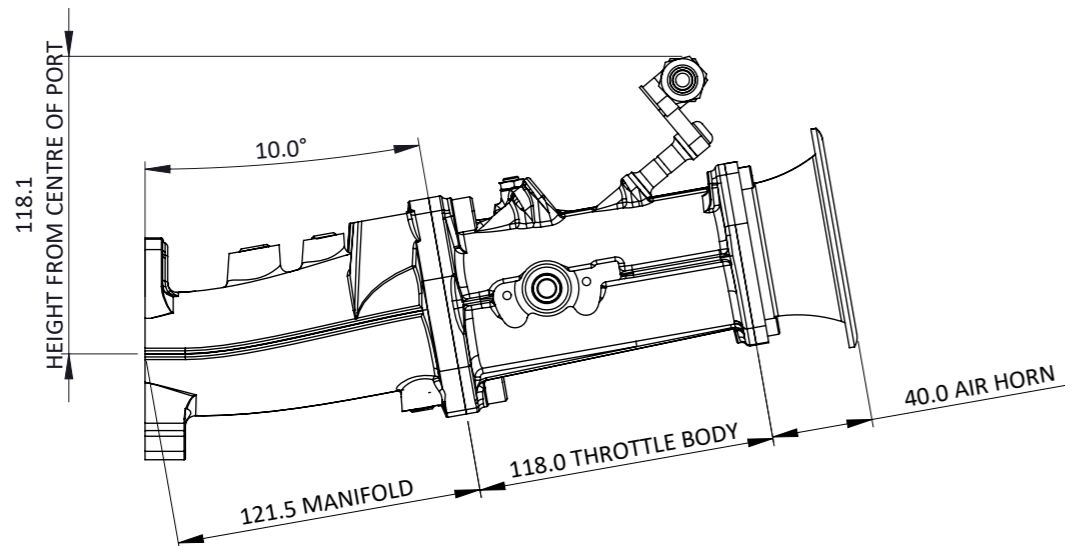
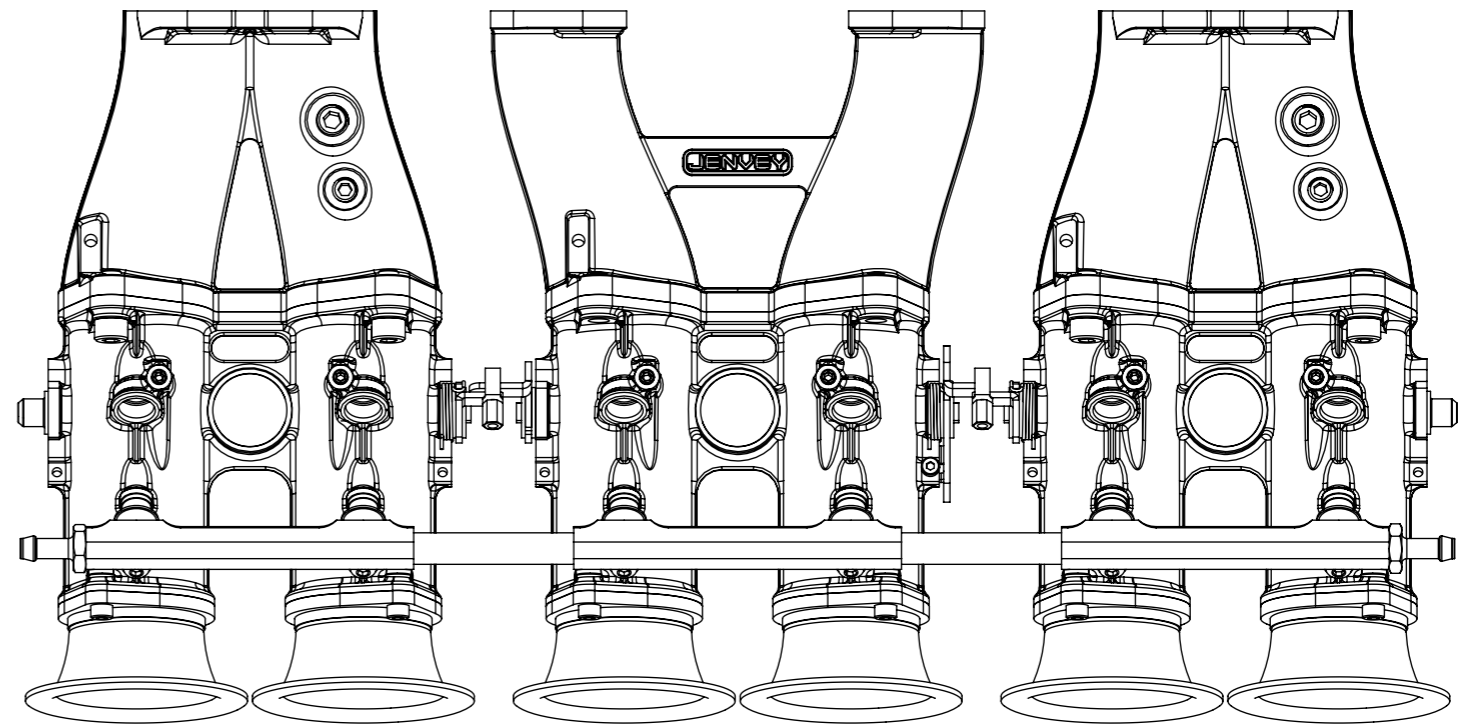
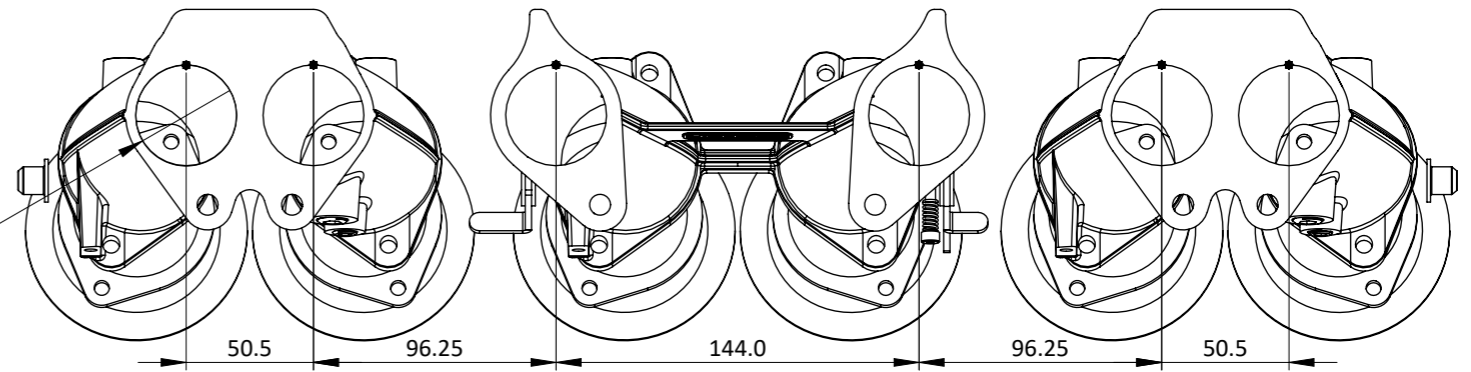
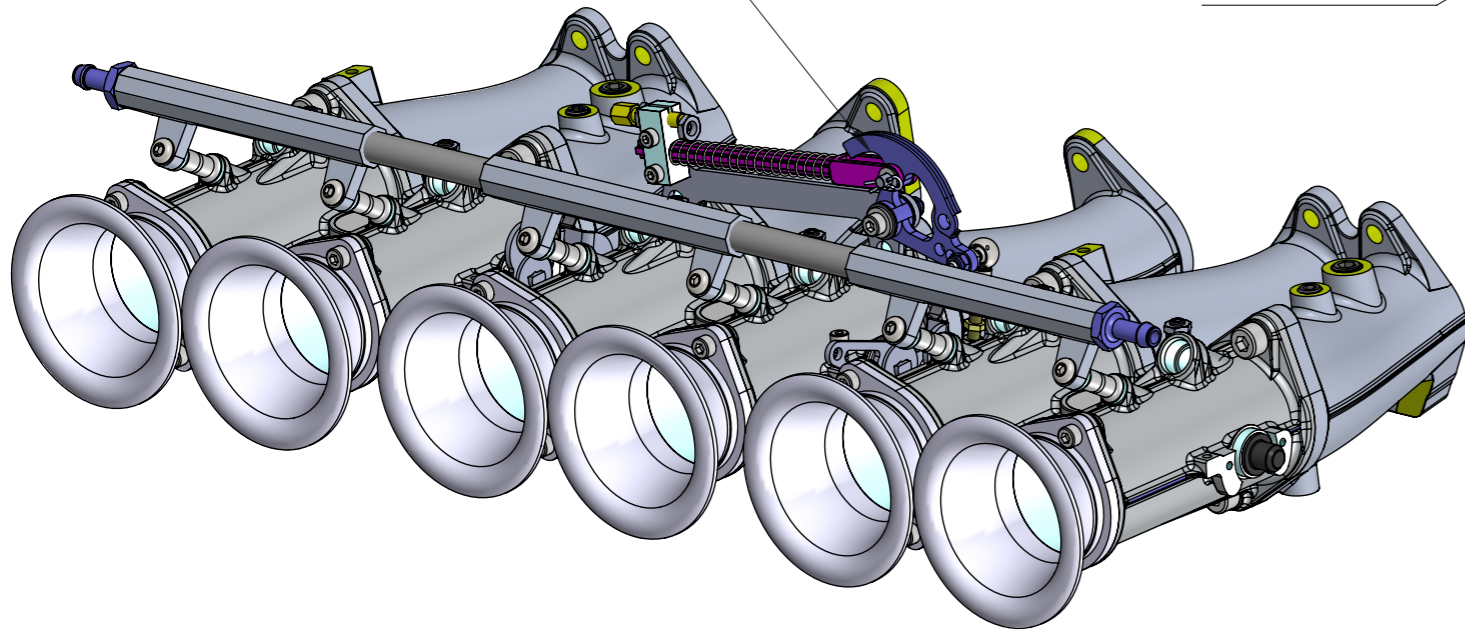
# CKNN03 - DATSUN - L-SERIES ENGINE L24 (240Z), L26 (260Z) & L28 (280Z)



Engineered to win

SHOWN WITH  
CLS2-TBO1 (SOLD SEPERATELY)

Ø 40.0  
MANIFOLDS CAST TO  
SUIT PORTED HEAD



Frame: 1 of 1

Version: 3

Tel 01746 768810

© JENVEY DYNAMICS LTD. 2015

Web WWW.JENVEY.CO.UK

